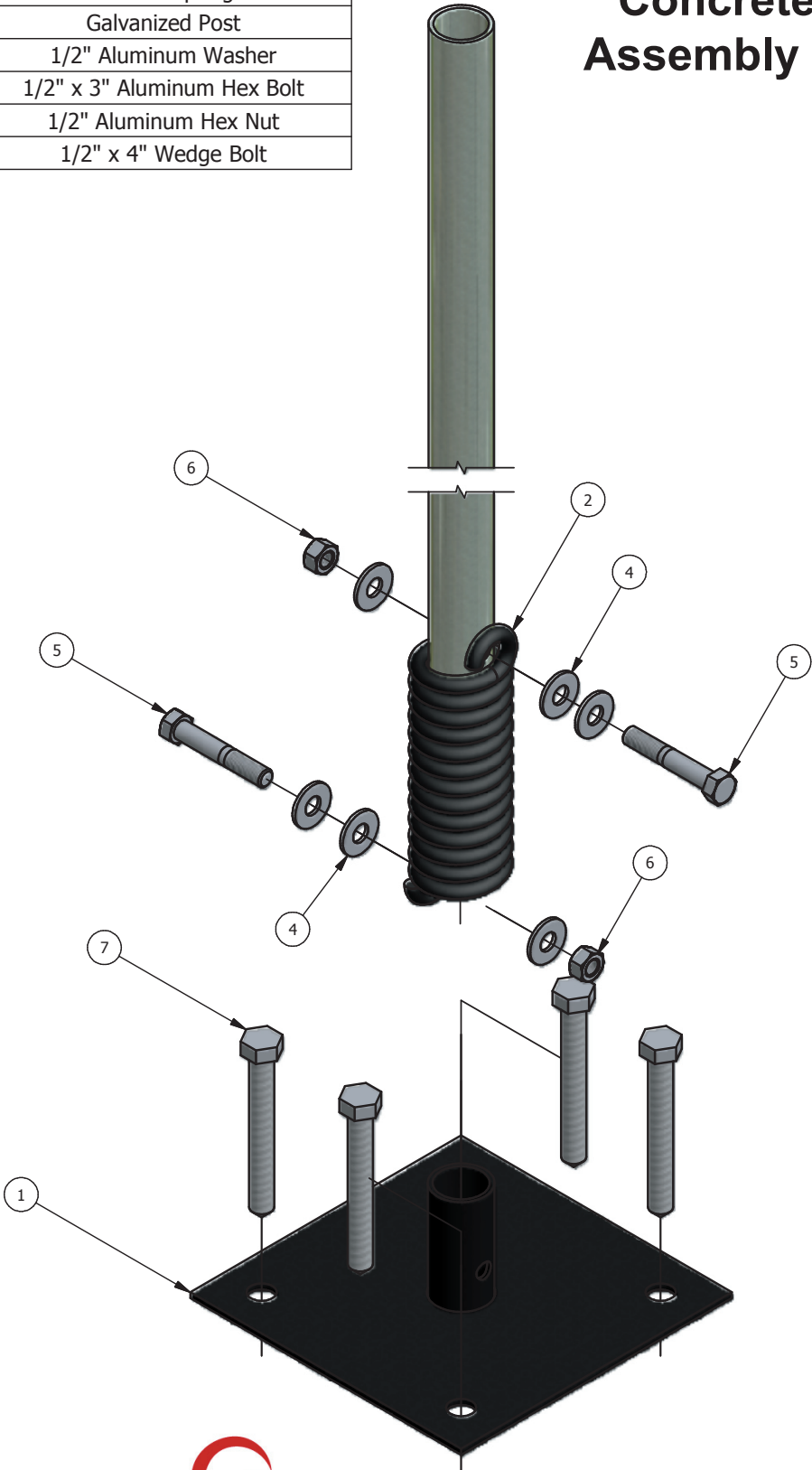


ITEM	QTY	DESCRIPTION
1	1	Base Plate Assembly
2	1	Torsion Spring
3	1	Galvanized Post
4	6	1/2" Aluminum Washer
5	2	1/2" x 3" Aluminum Hex Bolt
6	2	1/2" Aluminum Hex Nut
7	4	1/2" x 4" Wedge Bolt

Flexible Signpost Concrete Model Assembly Diagram



Recommended Use	Specifications	Date:
Parking Lots	HRPO Steel Baseplate - Galvanized Steel Pole	9/8/2007
	Aluminum Shear Away Bolts	Size: ANSI A
		Sheet 1 of 1

