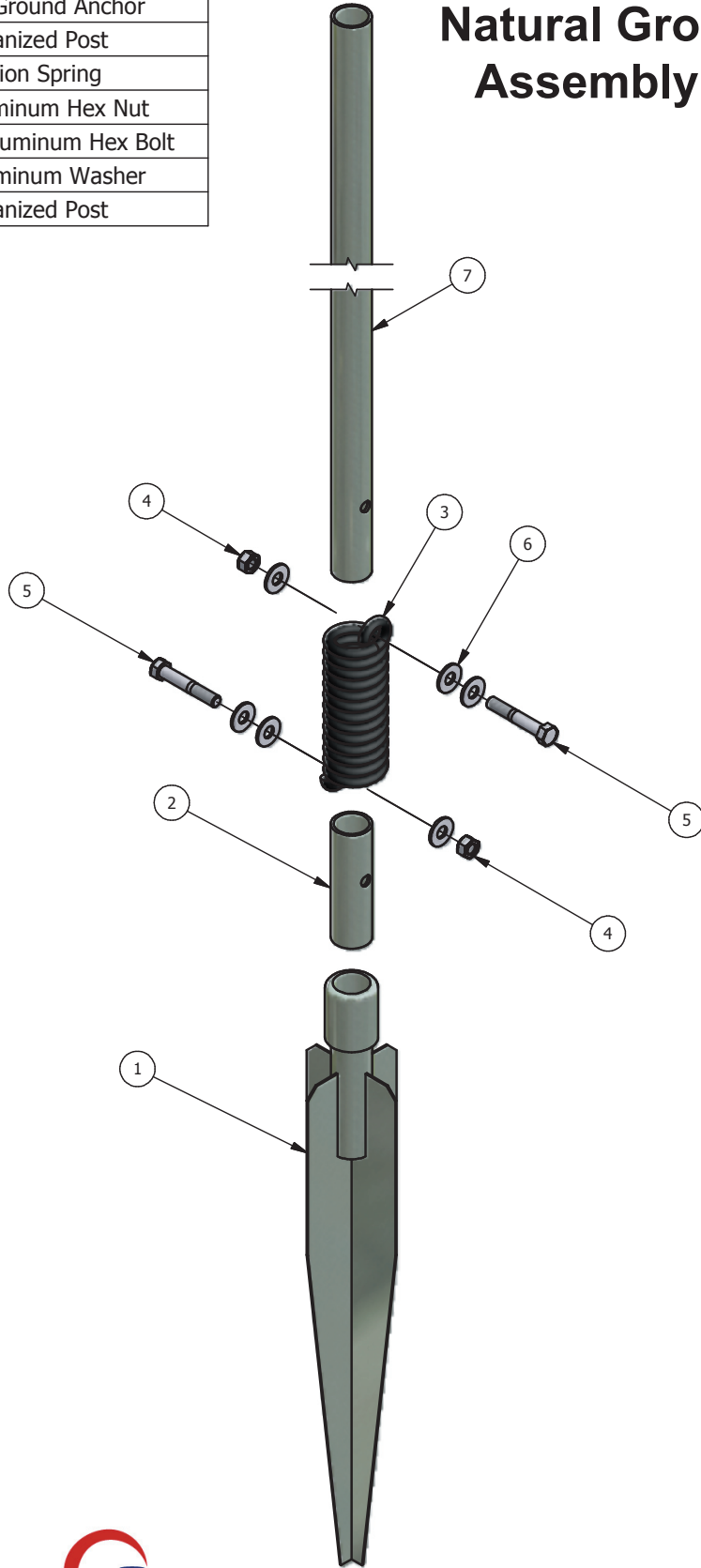


Flexible Signpost Natural Ground Model Assembly Diagram

ITEM	QTY	DESCRIPTION
1	1	Natural Ground Anchor
2	1	Galvanized Post
3	1	Torsion Spring
4	2	1/2" Aluminum Hex Nut
5	2	1/2" x 3" Aluminum Hex Bolt
6	6	1/2" Aluminum Washer
7	1	Galvanized Post



Recommended Use
Parking Lots

Specifications
HRPO Steel Baseplate - Galvanized Steel Pole
Aluminum Shear Away Bolts

Date: 9/8/2007
Size: ANSI A
Sheet 1 of 1

